



Before use, please take the time to read this datasheet and make sure you understood the advice and caution of use.



Security of the user

- Do not disassemble or modify the control unit. Doing so may result in fire or electric shock.
- Make sure that the control unit is free of moisture or any liquid. Exposure to water or other liquid may result in fire or electric shock.
- Do not touch the plugs or switches with wet hands. Doing so may result in electric shock.
- Before connecting or disconnecting cables, make sure that the power switch is turned OFF. Failure to do so may result in fire, electric shock, or breakdown in the UV LED lamp. Before moving the control unit, disconnect all cables.
- If an abnormal condition, such as smoking, abnormal heating, abnormal odor, or noise, occurs, stop using the control unit immediately and turn OFF the power switch. Continued use may result in fire or electric shock.
- Do not place the control unit in direct sunlight or in a very humid environment. Doing so may result in fire due to internal temperature rise. Observe the limitations of the operating temperature and humidity.
- Do not install the control unit perpendicularly. Always place the control unit on a stable and flat surface. Not doing so may result in the control unit falling or toppling, which may cause bodily injury or control unit malfunction.
- Do not pile up the control units. Doing so may result in fire due to internal temperature rise.
- Use a cable manufactured by UWAVE to connect the UV LED lamp. Use irradiators that are suitable for the control unit ratings. Doing so may cause control unit failure.
- Please secure a wiring space to the back panel and respect bending radius of cables. Damaging the cables may result in fire or electric shock.

Any incorrect use cancels the warranty.




Table of contents

Security of the user	1
Technical overview	3
Names and functions of parts	4
Quick start	5
Mechanical dimensions (mm)	6



Technical overview

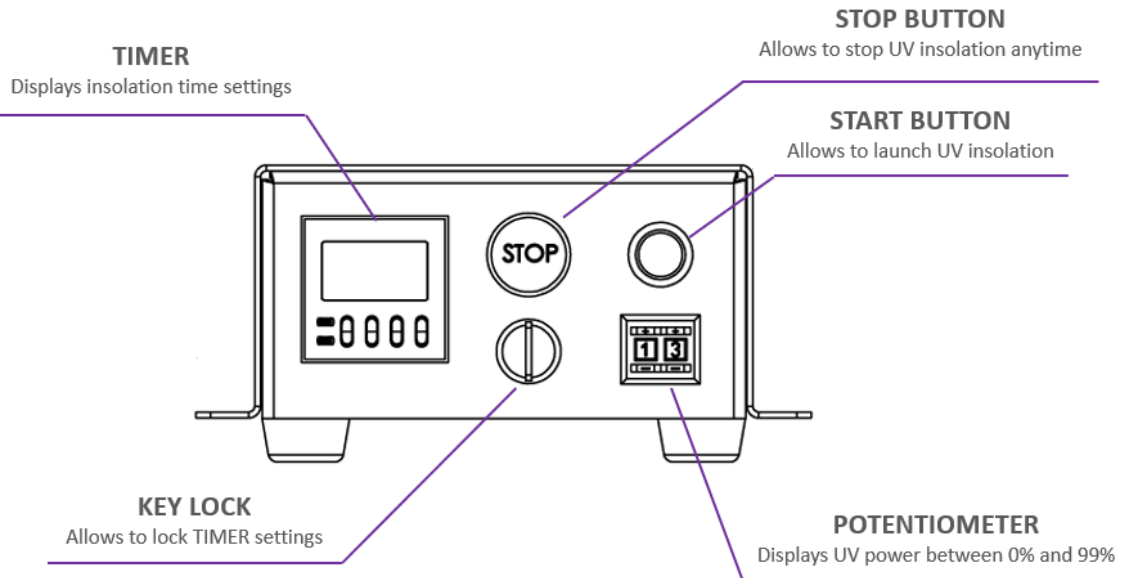
The UPOWER-50W-24V-UFIBER is used to control manually the UV LED spotlight named UFIBER.

Product reference		UPOWER-50W-24V-UFIBER
Electronics 	Maximal Power delivered	50 W
	Input power	Single phase 85 to 264 VAC, 50/60 Hz
	Connector to 220V	IEC C14
	Output voltage and current	24 VDC and 2.2 A for one Channel
	Connectors to UV products	M8 4pins female X2
	Inrush current (typ.)	45 A at 230 VAC
	Ground leakage current	0.75 mA max at 240 VAC
Mechanics 	W*L*H (mm)	210mm * 330mm * 100mm
	Weight	2.5 kg
	Material	Device body: Aluminum alloy
Environment 	Working temperature	+10°C to +35°C
	Working Humidity	< 80% for temp < 30°C
	IP Code	IP20
Accessories		Key x2 pc., 2.5m EU power cable x1 pc and instruction guide x1 pc.

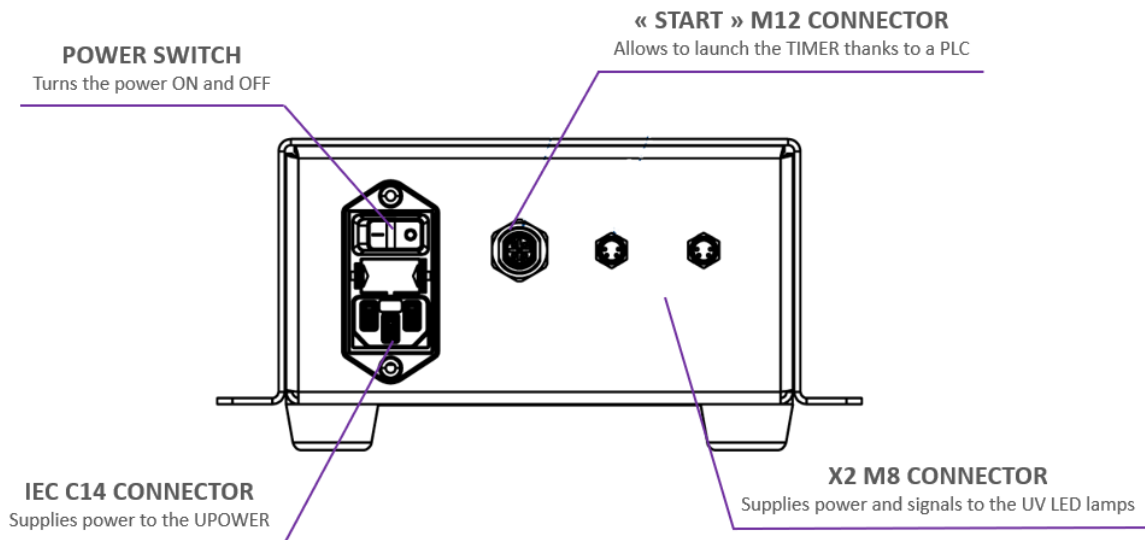


Names and functions of parts

Front side:



Rear side:





Quick start

1. Installation requirements:

- Place the control unit on a stable and flat location.
- Provide sufficient space around the control unit so that the ventilation holes are not blocked. Minimum 100mm at the top panel and minimum 50mm at lateral panels.
- Make sure that the airflow does not cause the exhausted warm air to be drawn into the control unit again.

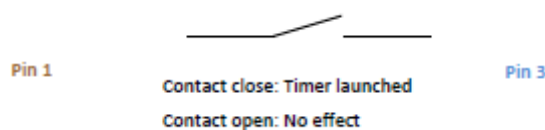
2. Connect the female side of the M8 cable to the UV LED lamp and the male side to the control unit.

3. Connect the power cable into the IEC C14 connector and into the wall. Then, the power switch can be turned on.

4. The UV LED lamp is now ready to be used. Two operating modes are available:

- **Manual mode**
 - ➔ Choose the UV light intensity between 20% and 99% thanks to the potentiometer (digits appear 20 to 99) placed on the front side of the control unit.
 - ➔ Adjust the insolation time thanks to the arrows on the **TIMER** (orange display) placed on the front side of the control unit. Push the “RESET” button to validate the insolation time. Then, the time is displayed in red above the orange display.
 - ➔ Launch UV light emission by pushing the **START** button. Then, the time is elapsing (red display). When the insolation time is finished, the UV light emission stops.
 - ➔ Press **STOP** to switch off the light before the end of the **TIMER**.
- **External mode**
 - ➔ Choose the UV light intensity between 20% and 99% thanks to the potentiometer (digits appear 20 to 99) placed on the front side of the control unit.
 - ➔ Adjust the insolation time thanks to the arrows on the **TIMER** (orange display) placed on the front side of the control unit. Push the “RESET” button to validate the insolation time. Then, the time is displayed in red above the orange display.
 - ➔ The user can use the “**START**” M12 5 pins connector at the back panel to launch the **TIMER** externally (PLC or footswitch). Then, the time is elapsing (red display). When the insolation time is finished, the UV light emission stops. Please refer to the electrical scheme below:

Pin number	Color	Type	Function
1	Brown	-	START +
2	White	-	Not used
3	Blue	-	START -
4	Black	-	Not used
5	Blue	-	Not used





Mechanical dimensions (mm)

